

Order Information
OUTDOOR OFC-ADSS, SM (0.9) LOOSE TUBE BLACK

Number of Fiber	6 Core	12 Core	24 Core	48 Core
Part Number	64720006	64720012	64720024	64720048

1. General Scope

This specification covers the construction and properties of all-dielectric self-supporting (ADSS), single jacket, dry core loose tube fiber optic cable. The optical fibers are in compliance with ITU-T Rec. G.652.D.

Quality Assurance

Furukawa takes pride in being an industry leader recognized for producing a quality product. To ensure a continuing level of quality in production cables, consistent quality systems with ISO 9001 "Quality Management System", and ISO 14001 "Environment Management System" are provided for all optical fiber and fiber optic cables.

FURUKAWA is supported by standards such as

- Electronic Industries Association (EIA)
- Telecommunications Industry Association (TIA)
- International Telecommunications Union (ITU)
- International Electrotechnical Commission (IEC)
- American Society for Testing and Materials (ASTM)
- TIS 2166-2548 (2005) Optical fiber cables Part 3-20 : Outdoor cables- Family specification for optical self-supporting aerial telecommunication cables
- ISO/IEC 11801, ANSI/TIA 568-C.3, Telcordia (Bellcore) GR-20-CORE, ITU G.652D, ICEA 596, ICEA 696, IEC 60793, IEC 60794

FURUKAWA is supported application for IEEE 802.3z, Gigabit Ethernet, IEEE 802.3ae, 10Gigabit Ethernet, ATM, FDDI, Fiber Channel, CATV, FTTH.

All of optical fiber cable element should comply with RoHS Directive 2002/95/EC and its amendment directives with the Laboratory that fully comply with the requirements of ISO/IEC 17025-05, The Basic Rules, IEC 01: 2008-11 and Rules of Procedure IEC 02: 2008-10, and the relevant IEC CB-Scheme Operational Documents.

General Fiber Optic Cable Characteristics

High quality optical fibers made with pure silica-based glass have very low loss for infrared wavelengths and can be used to carry large amounts of information for very long distances in optical communication systems. High fiber strength is obtained by protecting the surface of the glass fiber with thin coating layers of polymeric materials.

The coated Fibers are then placed in cable structures having additional layers to protect the fiber during the rigors of outside plant installation and to provide long term reliable operation in the outside plant environment. The design philosophy in meeting these objectives is to provide high quality, rugged, well-tested fiber optic cables, which are compact and have a high strength-to-weight ratio. Compact fiber optic cables are easier to handle and install in the field and provide longer length for field installation.

2. Optical Fiber Requirements

FURUKAWA Zero Water Peak (ZWP) Single Mode Optic Fiber consists of a germanium doped core and a silica cladding. The fiber is fully compatible with other commercially available matched cladding fibers. FURUKAWA ZWP Single Mode Optical Fiber is the industry's first fiber designed for use with transmission systems operating in entire wavelength region from 1280 to 1625 nm. Current systems operate in either the 2nd window (1280-1325 nm) or the 3rd window (1530-1565 nm). The 5th window from 1350 to 1450 nm has not been available because of higher attenuation (up to 1 dB/km) over much of the region. FURUKAWA ZWP fiber enables usage over this much wider range because of a new manufacturing process, which practically eliminates the incorporation of OH ions (water) into the fiber. A concentration of several parts per billion (ppb) of OH ions in a conventional single mode fiber core cause the attenuation in the region around 1385 nm (the "water" peak) to be up to 300% higher than in the 1310 nm region. With FURUKAWA ZWP fiber, the attenuation in the 5th window is always less than that in the 2nd window.

FURUKAWA fibers feature a dual UV curable acrylate coating system, which provides unparalleled performance in a wide range of environmental conditions. The advantages of this coating structure are excellent resistance to micro-bending induced losses, superior hydrolytic stability and long term preservations of color code integrity. The coating is easily strippable using mechanical methods.

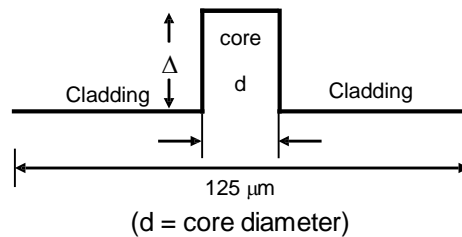


Fig.1 Refractive index profile, Dispersion Unshifted Single Mode Fiber

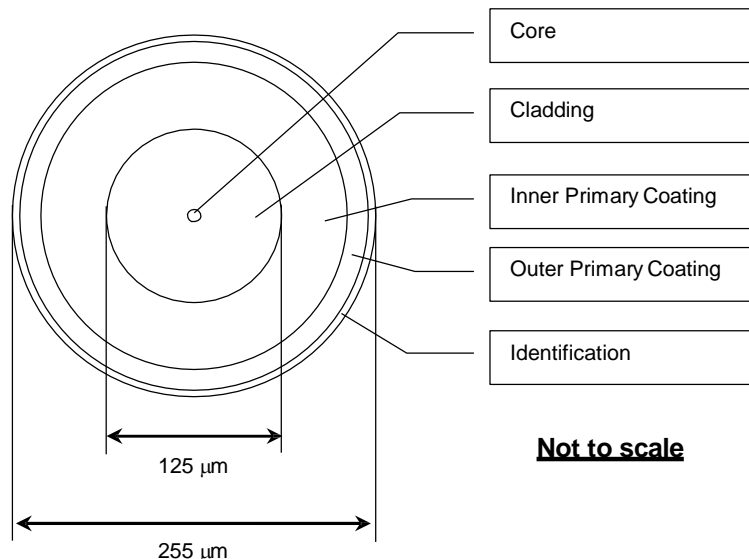


Fig. 2 Cross Section View of Dispersion Unshifted Single Mode Fiber

Table 1. Dispersion-Unshifted, Single Mode Fiber Requirements (ITU-T Rec. G.652.D)

Fiber attributes		
Item	Description	
Manufacturing Method	VAD (vapor axial deposition method)	
Refractive Index Profile	Step Index, Matched Cladding	
Core	Germania (GeO ₂) doped Silica (SiO ₂)	
Core Diameter	8.3 μm	
Cladding	Silica (SiO ₂)	
Primary Coating	2 layers of UV curable resin	
Index of refraction Difference	0.36%	
Group refractive index *	1.469 @ 1310 nm and 1550 nm	
Cladding Diameter	125 ± 1 μm	
Cladding Non-Circularity	< 1 %	
Core/Cladding Concentricity error	≤ 0.5 μm	
Coating Diameter (uncolored)	245 ± 5 μm	
Coating/Cladding Concentricity error	≤ 12 μm	
Colored Fiber Diameter	255 ± 10 μm	
Mode Field Diameter	9.2 ± 0.4 μm @ 1310 nm 10.4 ± 0.6 μm @ 1550 nm	
Proof test stress	The entire length of fiber is subjected to tensile stress greater than 0.69 GPa.	
Attenuation with Bending	100 turns, 25 mm radius	≤ 0.05 dB @ 1310 nm ≤ 0.10 dB @ 1550 nm
	1 turns, 16 mm radius	≤ 0.50 dB @ 1550 nm
Zero-Dispersion Wavelength (λ ₀)	1300 ≤ λ ₀ ≤ 1324 nm	
Max. Zero-Dispersion Slope (S _{0max}) at λ ₀	< 0.092 ps/(nm ² .km)	
Chromatic dispersion coefficient, D(λ)	$D(\lambda) = \lambda S_{0max} / 4 \cdot [1 - \{\lambda / \lambda_0\}^4] \text{ ps}/(\text{nm} \cdot \text{km})$ (λ = Operating Wavelength) < 3.5 ps/(nm.km) @ 1288 ~ 1339 nm < 18 ps/(nm.km) @ 1550 nm	
Coating Strip Force (@ 0 °C to +45 °C)	1.3 N (0.3 lbf) ≤ F ≤ 8.9 N (2.0 lbf)	
Numerical Aperture	0.13 ± 0.01	
Cable attributes		
Item	Description	
Attenuation coefficient	Max. 0.36 dB/km, Typ. 0.34 dB/km @ 1310 nm Max. 0.36 dB/km, Typ. 0.32 dB/km @ 1383 nm Max. 0.25 dB/km, Typ. 0.21 dB/km @ 1550 nm Max. 0.35 dB/km, Typ. 0.24 dB/km @ 1625 nm	
Attenuation discontinuities (step)	≤ 0.10 dB at 1310 nm and 1550 nm	
Cabled Cut-off Wavelength (λ _{cc})	≤ 1260 nm	
Polarization mode dispersion (PMD) (Link Design Value)	< 0.20 ps/√km	

* Optical time domain reflectometers (OTDRs) require the setting of the fiber's group refractive index in order to calculate and display distance. The above is a group refractive index values for OTDR settings.

3. Cable Core / Cable Characteristics and Construction

These core/cable combinations are described in detail below.

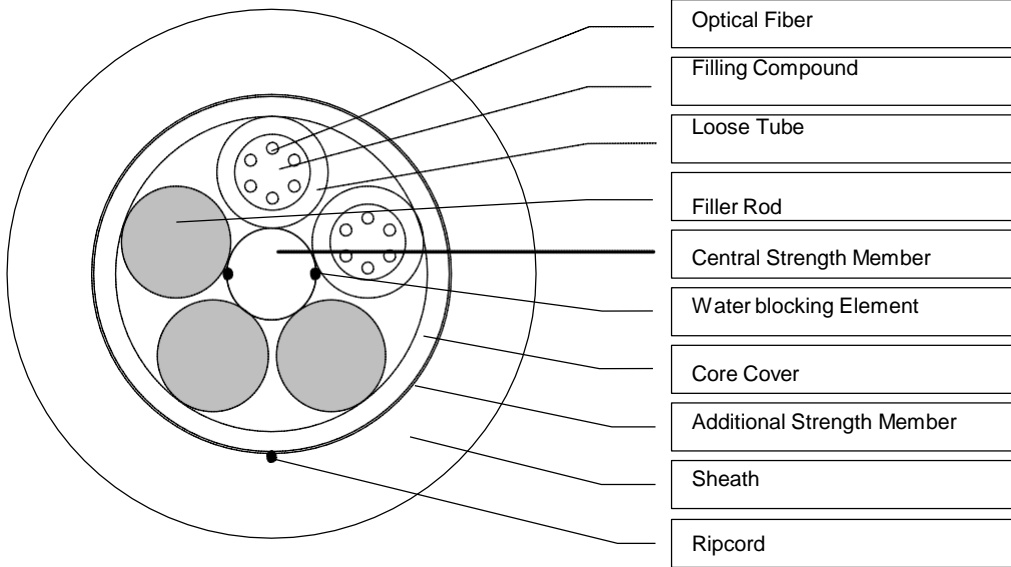
Table 2. Constructions of all-dielectric self-supporting (ADSS) single jacket, dry core loose tube fiber optic cable.

Item		Description	
		Up to 30 Fibers	36 ~ 60 Fibers
Optical Fiber	Construction	Table 1	
Filling Compound	Material	Thixotropic Jelly Compound	
Loose Tube	Material	(PBT) Polybutylene Terephthalate with color code	
	Fiber per Tube	Max. 6	Max. 12
	Number	1 ~ 5	3 ~ 5
	Assembly	Fibers are brought together with the filling compound and placed in the extruded tube	
Filler Rod	Material	Polyethylene, natural color	
	Number	0 ~ 4	0 ~ 2
Stranding	Method	Reverse oscillating lay (ROL) technique (SZ Direction)	
Central Strength Member	Material	FRP (Fiberglass Reinforce with Plastic)	
Water Blocking Element	Material	Suitable Water Swellable Materials (Dry-Core Technology)	
Core Covering	Material	Water Blocking tape	
	Assembly	The tape shall be wrapped longitudinally over the cable core	
Additional Strength Member	Material	Aramid yarns	
	Number	The quantity of additional strength member shall be selected to minimize cable cost while meeting the performance requirement of the cable applications	
Ripcord	Material	Polyester cord	
Sheath	Material	UV-Proof Back High Density Polyethylene	
	Thickness	Nominal 1.4 mm	
Cable Diameter (Approx.) mm		9.5	10.5
Cable Weight (Approx.) kg/km		65	80
Structure		Fig. 3	

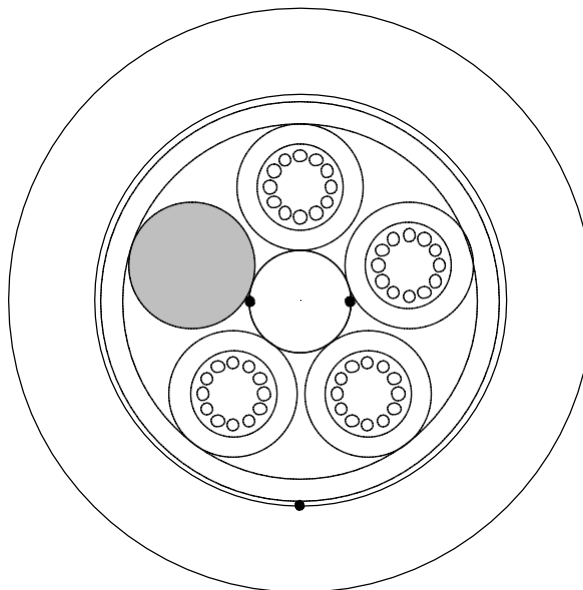
Note:

- The thickness of the thinnest point shall not be measured at the groove of the ripcord.
- Manufacturer may use additional suitable tape(s), thread(s) or dielectric elements into suitable place in the cable for manufacturer's reason.

12 Fibers



48 Fibers



Not to scale

Fig. 3 Cross-section view of all-dielectric self-supporting (ADSS) single jacket, dry core loose tube fiber optic cable.

Table 3. TIA/EIA-598-A Color Code for Fiber and Loose tube Identification

No.	Fiber Identification	Loose Tube Identification
1	Blue	Blue
2	Orange	Orange
3	Green	Green
4	Brown	Brown
5	Slate	Slate
6	White	-
7	Red	-
8	Black	-
9	Yellow	-
10	Violet	-
11	Rose	-
12	Aqua	-

Note: - All fibers and tube used in our cables are color code to facilitate individual identification. Unless otherwise specified, all cables employ the standard industry color code system in accordance with the Munsell color shades as specified in EIA/TIA-359 and EIA/TIA-598A (Rose and Aqua color recommended standard TIA/EIA-598-B), Color Coding of Fiber Optic Cables. Anyway, the color code can be changed by customer's request.

- Unless otherwise requested by the customer, all cable jackets are black.

Table 4. Mechanical Specification of the cable

Item		Specification
Maximum Span Length		40 m
Minimum installation Sag		0.5% of Maximum Span Length
Maximum Wind Velocity		100 km/hr
Maximum tensile load installation/Operation		1,200/600 N
Installation/Operation Temperature		- 40°C to + 70°C
Storage/Shipping Temperature		- 40°C to + 75°C
Minimum bending Radius	During Installation Or handling	15 x External Diameter of Cable
	During Service Or fixed	10 x External Diameter of Cable

Note: The maximum allowable pulling tension is the greatest pulling force that can be applied to a cable during installation without cable damage.

4. Mechanical and Environmental Test Requirements.

This section covers the mechanical and environmental test for the cable.

Table 5. Mechanical, Environmental Test Requirements for the cables

Item	Specification	Method
Torsion Test	Maximum attenuation change $\leq 0.10\text{dB}$ at 1550nm. No cable jacket cracking or splitting.	TIA/EIA-455-85A or IEC-60794-1-2-E7 Test sample; 2 m Maximum Load; per table 2, EIA-455-85A Rotation; ± 180 degree, 10 cycles
Tensile Performance Test	Maximum attenuation change $\leq 0.10\text{dB}$ at 1550 nm at rated tensile load. And no cable jacket cracking or splitting.	IEC-60794-1-2-E1A Test sample; 25 m Minimum Sheave Dia.; 480 mm (Universal) Load; maximum rated tensile load Duration ; 1 hr
Impact Test	Maximum attenuation change $\leq 0.10\text{dB}$ at 1550 nm. No cable jacket cracking or splitting.	TIA/EIA-455-25B or IEC-60794-1-2-E4 Starting Energy; depend on cable diameter, per Table 1 EIA/TIA-455-25B Number Impact; 25 Test sample; Approx. 20 m
Repeated Bending Test	Maximum attenuation change $\leq 0.10\text{dB}$ at 1550 nm. No cable jacket cracking or splitting.	TIA/EIA-455-104A or IEC-60794-1-2-E6 Sheave Dia.; 20 x cable dia. Number Cycles ; 25 Load; per Table 2, EIA-455-104A Test Sample ; Approx. 20 m
Compression Test	Maximum attenuation change $\leq 0.10\text{dB}$ at 1550 nm. No cable jacket cracking or splitting.	TIA/EIA-455-41A or IEC-60794-1-2-E3 Load; 2,200 N(220N/cm) Duration; 10 minutes Test sample ; Approx.20 m
Cable Bending Test	Maximum attenuation change $\leq 0.10\text{dB}$ at 1550 nm. No cable jacket cracking or splitting.	IEC-60794-1-2-E11B Mandrel Diameter: 20 x cable dia. Cycles : 1
Water Penetration Test	No fluid leaks through the open cable end after 1 hour.	EIA-455-82B or IEC-60794-1-2-F5 Fluid Pressure; 1m static head or equivalent pressure. Test sample ; 3 m Duration ; 1 hour
Temperature Cycling Test	Max. Attenuation change $\leq 0.10\text{dB/km}$ at 1550 nm at operating temp. No cable jacket cracking or splitting.	TIA/EIA-455-3A or IEC-60794-1-2-F1 Time at Temp. ; Table of EIA/TIA-455-3A. Temp. Range ; -40°C ($\pm 2^\circ\text{C}$) Minimum +70°C ($\pm 2^\circ\text{C}$) Maximum Number of Cycles; Not less than 1 cycle

5. Cable Marking and Shipping Requirements

1. Sheath marking

The sheath marking is available upon customer's request. The sheath marking shall be printed (Hot Stamp) on the outer sheath of the cable with white color in one-meter intervals.

2. Reels

1. The cable will be delivered at the required length on a wooden reel. The reels are designed to prevent damage to the cable during shipment and installation.
2. The cable shall be delivered on wooden reel in standard manufacturing length of 4,000 m. (Special length is available upon request, but the cost may be increased.)
3. The diameter of the barrel shall be not less than 30 times of the outer diameter of the cable.
4. Circumference shall be completely enclosed with wooden battens, these battens shall be secured by nails to each flange. There are metallic bands are strapped about the wooden batten to help secure the battens to the reel.
5. To provide access for testing, the inner end of the cable protrudes through the inside of the reel. The end is securely kept on the side of the flange to protect it during transport and storage. The length of the inner end is typically 1 meter. The cable ends are securely fastened so as not to protrude beyond any portion of the reel in an unprotected manner and to prevent the cable from becoming loose in transport.

2. Sealing and Cable Termination

The both end of the cable shall be sealed with a suitable rubber cap or heat shrinkable cap to prevent ingress of moisture.

4. Information Accompanying the Reel

The following information is securely attached to the reel.

- | | |
|----------------------------------------|----------------|
| - Manufacturer's Name | - Drum No. |
| - Customer's Name | - Reel ID. |
| - Customer Order Number | - Ship Length |
| - Customer Part Number (if Applicable) | - Gross Weight |
| - Kind & Size (Cable Description) | - Net Weight |
| - Order Length | - Date |
| - Outside sequential | |
| - Inside sequential | |

- END OF SPECIFICATION -